

SBV 65-12i

(12V 65Ah)

VdS: G 114035

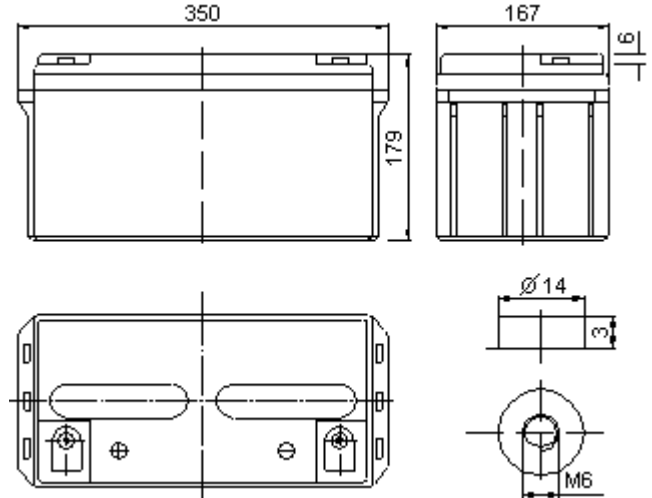
High Performance battery with 10-12 years design life (EUROBAT)

Status: 05-2014

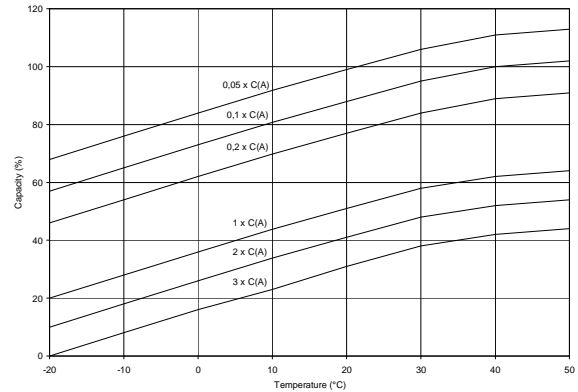
Specifications

Nominal Voltage		12V
Capacity (10hr@25°C@1.8V/C)		65.0Ah
Dimensions	Length	350mm (13.78inch)
	Width	167mm (6.57inch)
	Height	179mm (7.05inch)
	Total Height	179mm (7.05inch)
Approx. Weight		21.2kg (46.7lbs)
Maximum charging current		19.5A
Maximum discharge current		650A (5sec.)
Internal resistance (Fully charged, 25°C)		Approx. 6mΩ
Capacity affected by temperature (10hr)	40°C	102%
	25°C	100%
	0°C	85%
	-15°C	65%
Self-discharge (25°C)	3 month	Remaining Capacity: 91%
	6 month	Remaining Capacity: 82%
	12 month	Remaining Capacity: 65%
Nominal operating temperature		25°C ±3°C (77°F±5°F)
Operating temperature range		-15°C ~ 50°C (5°F ~ 122°F)
Float charging voltage (25°C)		13.65 to 13.80V
Cyclic charging voltage (25°C)		14.50 to 14.90V
Absorbent glass mat technology		
ABS (UL94-HB) container		Recognized by UL & CE

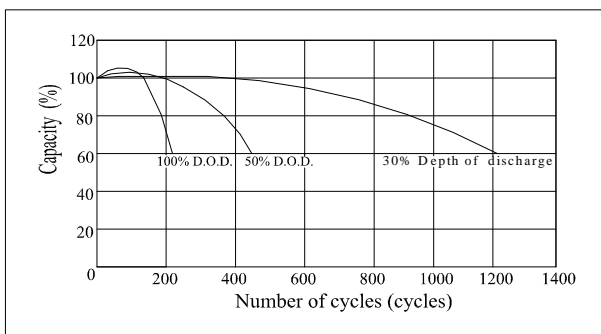
Dimensions



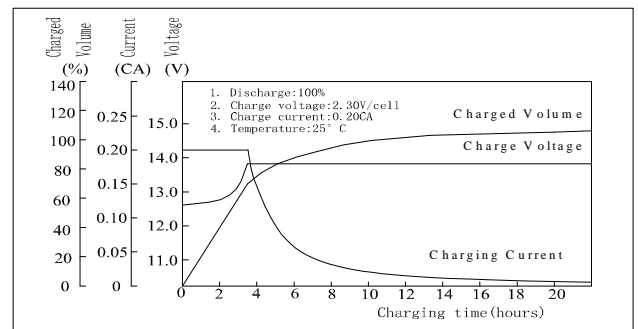
Temperature Effects in Relation to Battery Capacity



Cycle Life (25°C)



Charging Characteristics (25°C)



Constant Current Discharge Characteristics (Ampere per Battery, 25°C)

F.V/TIME	5min	10min	15min	30min	1h	3h	5h	10h	20h
9.60V	215	163	123	70.3	44,1	17,6	12,3	6.79	3.46
10.2V	202	147	112	66.3	41,4	16.8	11.7	6.65	3.40
10.8V	189	125	100	61.7	38.4	16.3	11.3	6.50	3.30

Constant Power Discharge Characteristics (Watt per Battery, 25°C)

F.V/TIME	5min	10min	15min	30min	1h	3h	5h	10h	20h
9.60V	2153	1544	1208	752	467	196	138	79.4	41.4
10.2V	2045	1467	1159	722	449	194	136	78.8	41.4
10.8V	1922	1379	1102	686	426	191	134	77.6	40.8

All mentioned values are average values.